

MaxMotion

PERFORMANCE DATA SHEET

Meets or exceeds MEPS (Minimum Efficiency Performance Standards), as described by the US Department of Energy in docket 10CFR431 and Natural Resources Canada's Amendment 14

Catalogue #: **MPRP-152JH**

HP	kW	Voltage	S.F. @ 60Hz	Efficiency	Power Factor	Frame	Design	L.R. Amps
1,5	1,12	575	1,15	85,1%	0,860	56J	B	12

60 Hz								
FLA							Code	F.L. RPM
208	230	416	460	480	575	600		
/	/	/	/	/	1,61	/	L	3478

50 Hz								
HP	kW	FLA		S.F. @ 50Hz	Efficiency	Power Factor	Code	F.L. RPM
		190	380					
/	-	/	/	/	/	/	/	/

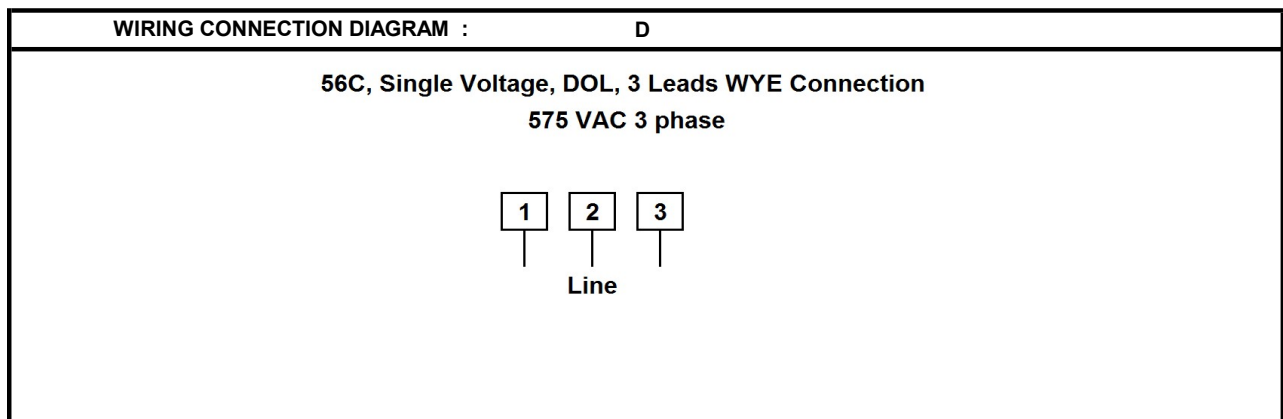
Wgt. Lbs	PH	Duty	Insul. Class	Amb.	Elevation	Temp. Rise° C
28	3	Cont.	F	40°C	1000M (3300 Ft)	48

% Efficiency		% Power Factor		Torque		Winding Resist. Ω	Safe Cold Start (Secs)
Full Load:	85,1%	Full Load:	0,86	Full Load Ft/Lbs	2,3		
3/4 Load:	85,1%	3/4 Load:	0,81	Locked Rotor %	347		
1/2 Load:	83,3%	1/2 Load:	0,73	Break Down %	385	14,39	12

Rotor Inertia Wk2 Lb-Ft2	Max Load Inertia Wk2 Lb-Ft2	Shaft Material	Frame Material	DE Bracket Type	ODE Bracket Type	Enclosure	NEMA Rating	Lead Wire Size
/	/	304SS	Rolled Steel	Aluminium Alloy		TEFC	IP55	16AWG

Ball Bearings		Grease	Mount Type	Orientation	Paint	Sound Pressure @ 3FT	Sound Power
DE	ODE						
6205	6203	Sealed Bearings	Rigid	Horizontal	Black	58	/

Inverter Duty. Motor meets MG1 parts 31.4.4.2	Constant Torque Range	Variable Torque Range	Constant HP RPM
		10:1	20:1



Date: 2024-05-01
 Customer: _____
 Contact: _____
 Submittee: J.C. Lavallée

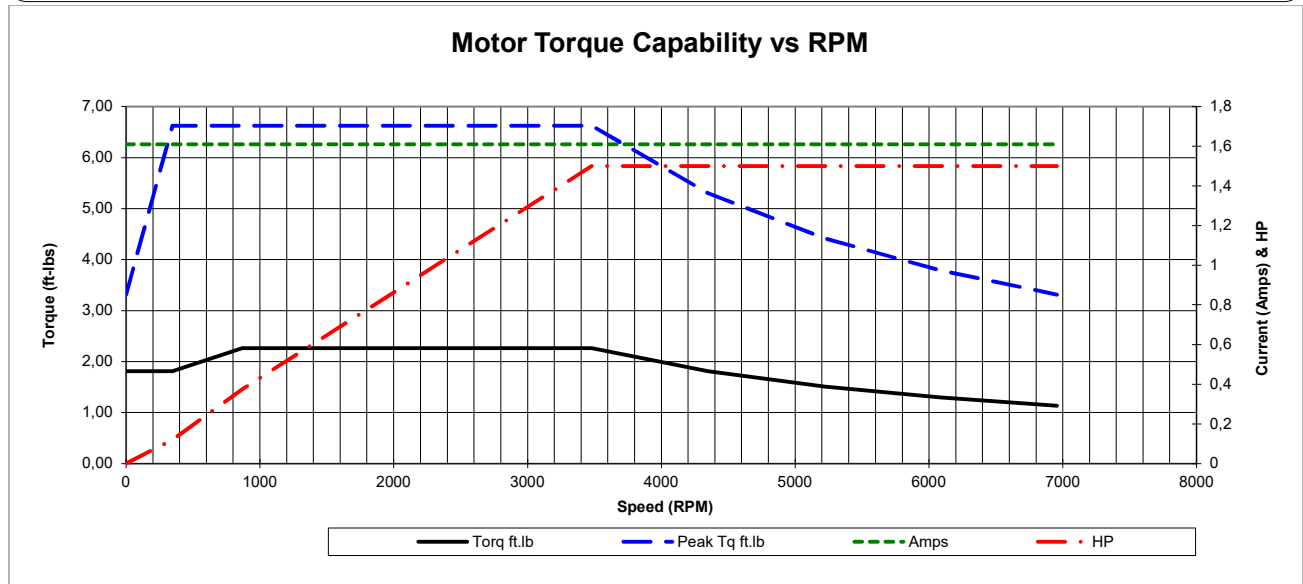
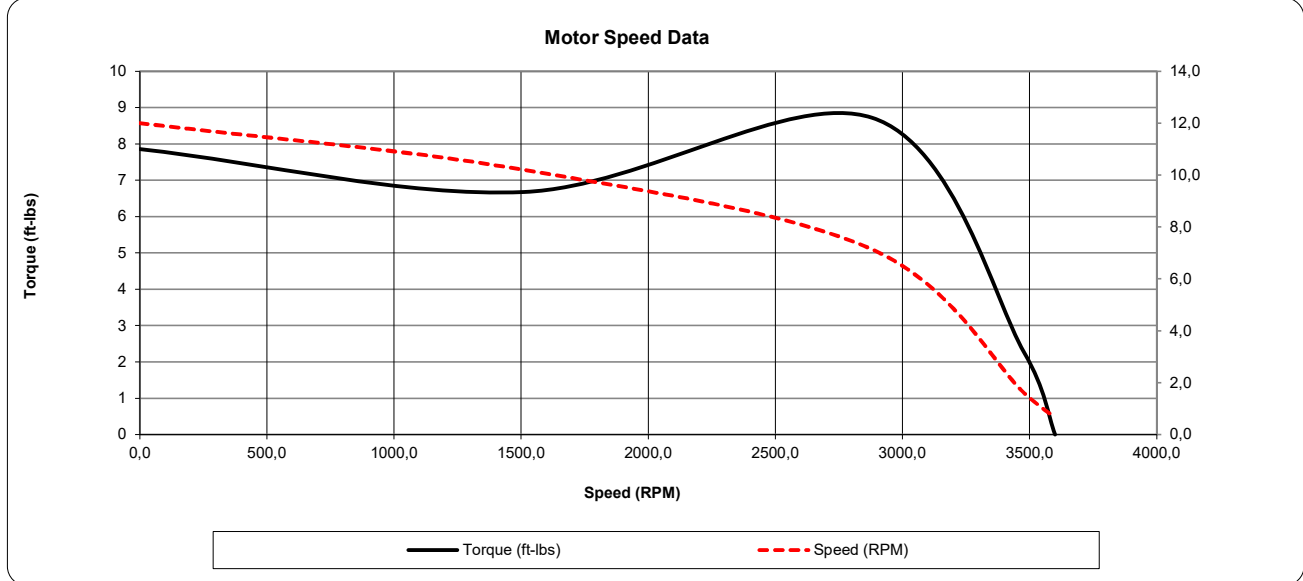
Catalogue #: **MPRP-152JH**

Meets or exceeds MEPS (Minimum Efficiency Performance Standards), as described by the US Department of Energy in docket 10CFR431 and Natural Resources Canada's Amendment 14

HP	VAC	RPM	Enclosure	Frame	Frequency	Design	Poles	LR Code Letter	Insulation Class	Temp. Rise °C
1,5	575	3478	TEFC	56J	60	B	2	L	F	48

	0Hz	6Hz	15Hz	30Hz	45Hz	60Hz	75Hz	90Hz	105Hz	120Hz
Amps	1,61	1,61	1,61	1,61	1,61	1,61	1,61	1,61	1,61	1,61
RPM	0	347,8	869,5	1739	2608,5	3478	4347,5	5217	6086,5	6956
Torq ft.lb	1,81	1,81	2,27	2,27	2,27	2,27	1,81	1,51	1,29	1,13
Peak Tq ft.lb	3,31	6,63	6,63	6,63	6,63	6,63	5,30	4,42	3,79	3,31
HP	0	0,1	0,4	0,8	1,1	1,5	1,5	1,5	1,5	1,5

	Locked Rotor	Pull-Up	Breakdown	Rated Load	Idle	Duty	S. F.	Ambient	Elevation	dBA @ 1M
Speed (RPM)	0,0	1512	2880	3478	3600	Continuous	1,15	40°C	3,300 ft	58
Current (Amps)	12,0	10,2	7,1	1,6	0,7	VFD Rating: Meets MG1 parts 31.4.4.2				
Torque (ft-lbs)	7,9	6,7	8,7	2,3	0,0	C.T.	10:1	V.T.	20:1	





Date: 2024-05-01
 Customer: _____
 Contact: _____
 Submittee: J.C. Lavallée

Catalogue #: **MPRP-152JH**

Meets or exceeds MEPS (Minimum Efficiency Performance Standards), as described by the US Department of Energy in docket 10CFR431 and Natural Resources Canada's Amendment 14

HP	VAC	RPM	Enclosure	Frame	Frequency	Design	Poles	LR Code Letter	Insulation Class	Temp. Rise °C
1,5	575	3478	TEFC	56J	60	B	2	L	F	48

Load %	0%	25%	50%	75%	100%	125%	150%
Amps	0,67	0,79	1,01	1,28	1,61	2,01	2,42
Torq ft/lbs	0	0,55	1,11	1,68	2,27	2,86	3,46
RPM	0	3569,5	3539	3508,5	3478	3447,5	3417
Eff	0	76,10	83,30	85,11	85,10	79,56	77,29
PF	0	53,0	73	81	86,0	87,7	90,3

	Locked Rotor	Pull-Up	Breakdown	Rated Load	Idle	Duty	S. F.	Ambient	Elevation	dBa @ 1M
Speed (RPM)	0	1512	2880	3478	3600	Continuous	1,15	40°C	3,300 ft	58
Current (Amps)	12	10,2	7,1	1,61	0,668	VFD Rating: Meets MG1 parts 31.4.4.2				
Torque (ft-lbs)	7,86	6,68	8,72	2,27	0,0	C.T.	10:1	V.T.	20:1	

